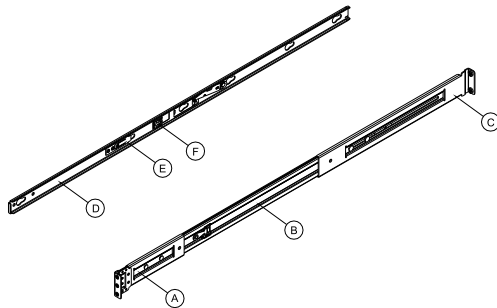


1

RACK INSTALLATION – REMOVE INNER MEMBER FROM SLIDES

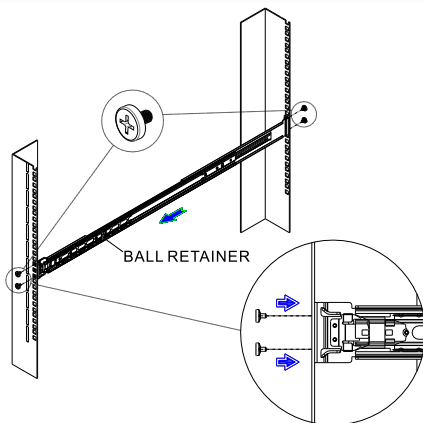


Slides components:
A - front bracket; B - outer member;
C - rear bracket; D - inner member;
E - safety locking pin; F - release button.

Pull release button to remove inner member from slides.

2

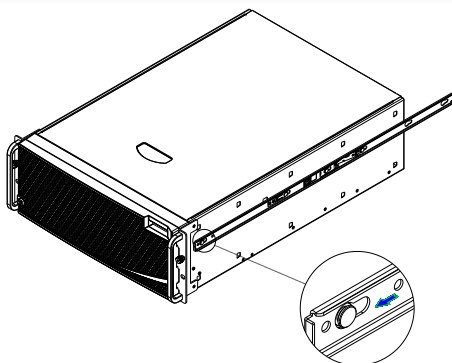
RACK INSTALLATION – INSTALL SLIDES TO RACK



Align brackets to desired vertical position on rack and insert fasteners.
Move ball retainer to the front of slides.

3

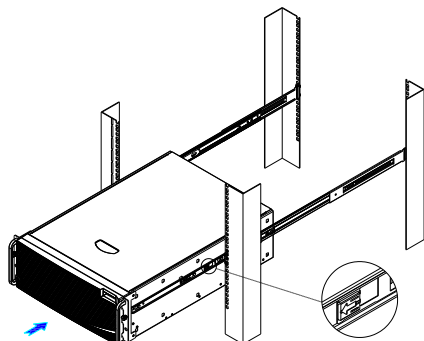
CHASSIS INSTALLATION – INSTALL INNER MEMBER TO CHASSIS



Align inner member key holes to standoffs on chassis, move inner member following the direction in left pictures.

4

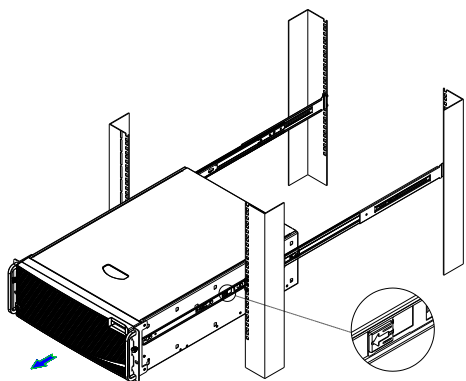
CHASSIS INSTALLATION – INSTALL CHASSIS TO FIXED SLIDES



Pull the release button in the inner member to release the lock and allow the chassis to close.

5

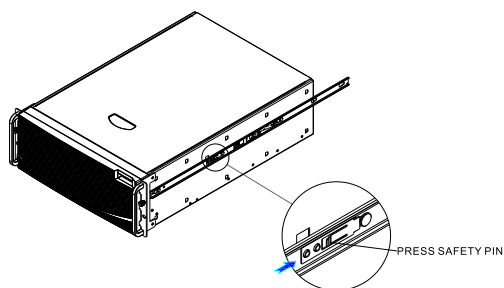
CHASSIS REMOVAL – EXTEND SLIDES



Fully extend the slides until it is in the locked position, pull the release button to release lock and disconnect inner member from slides.

6

CHASSIS REMOVAL – REMOVE INNER MEMBER FROM CHASSIS



Press safety locking pin to release inner member from chassis.